

Description

The Strike-It™ Center Pin Drive Anchor is an impact expansion anchor designed for medium and heavy duty anchoring into concrete and grout-filled block. With its unique **all-in-one serrated nut and washer**, the Strike-It offers superior holding and vibration resistance.



all-in-one serrated nut & washer

Key Features & Benefits

- ▶ Easy to install
 - Just hammer the center pin and it's set
 - Anchor tensions itself automatically, no wrench needed
- ▶ The integrated nut and washer can be pre-set for the optimal embedment - flush at the top or screwed to the bottom for a stud-type application
- ▶ Easy to inspect
 - Anchor is set when center pin is hammered down to meet the threads and is flush with top of the bolt.
- ▶ Depth of hole not critical
 - No depth gauge required
- ▶ Actual diameter of the anchor is the same as its nominal diameter
 - No templates required
- ▶ Serrations on nut/washer provide vibration resistance
- ▶ Yellow dichromate finish provides superior corrosion resistance



Specifications, Listings and Approvals

Diameters: 1/4" – 3/4"

Materials:

Anchor Body: Hot Rolled Steel

Pin: Hot Wrought Iron

Finish: Yellow Dichromate Coating

Federal Specifications:

– QQZ-325Z, Type II Class 3 (yellow dichromate added)

– GSA FFS-325 Group II Type 4 Class I

Applications

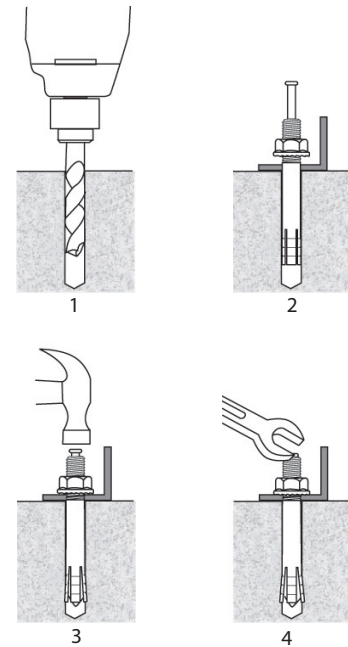
- ▶ Steel & Wood Plates
- ▶ Machine Anchoring
- ▶ Water & Gas Meters
- ▶ Conveyor Belt Mounts
- ▶ Bracing
- ▶ Hand & Guard Rails

Installation Information

Instructions

1. Drill the hole perpendicular to the work surface at least 1/2" deeper than the calculated embedment depth. To assure full holding power, do not ream the hole or allow the drill to wobble.
2. Preset the nut and washer for desired embedment and insert the anchor through the fixture into the hole.
3. Hammer center pin until it is aligned with the top of the bolt.
4. Tighten nut if desired.

NOTE: Always wear safety glasses. Follow drill manufacturer's instructions. Use only solid carbide-tipped drill bits meeting ANSI B212.15 diameter standards.



Installation Data

Anchor Dia. (in.)	Min. Embed. Depth (in.)	Drill Bit Dia. (in.)	Critical Edge Dist. (in.)	Critical Spacing Dist. (in.)
1/4	1-1/8	1/4	1-3/4	3-1/2
5/16	1-1/2	5/16	2-1/4	4-1/2
3/8	1-3/4	3/8	2-3/4	5-1/4
1/2	2-1/2	1/2	3-3/8	6-3/4
5/8	3	5/8	4-1/4	9
3/4	3-3/4	3/4	5-1/4	10-1/2

Performance Data

Ultimate and Allowable Loads (lbs.) - Normal-Weight Concrete

Anchor Dia. (in.)	Embed. Depth (in.)	Drill Bit Dia. (in.)	Allowable				Ultimate			
			2,000 psi		4,000 psi		2,000 psi		4,000 psi	
			Tension	Shear	Tension	Shear	Tension	Shear	Tension	Shear
1/4	1-1/8	1/4	195	300	393	300	780	1200	1570	1200
5/16	1-1/2	5/16	533	430	790	430	2130	1720	3160	1720
3/8	1-3/4	3/8	633	745	828	745	2530	2980	3310	2980
1/2	2-1/2	1/2	1010	1280	1400	1280	4040	5120	5600	5120
5/8	3	5/8	1590	2300	1935	2300	6360	9200	7740	9200
3/4	3-3/4	3/4	2175	2975	3020	2975	8700	11900	12080	11900

*Allowable load capacities are calculated using an applied safety factor of 4:1

Order Information



Center Pin Drive Anchors: Yellow Zinc Dichromate Coated Carbon Steel					
Catalog No.	Anchor Size (in.)	Thread Length (in.)	Drill Bit Dia. (in.)	Box Quantity	Carton Quantity
CP1413	1/4 x 1-3/4	5/8	1/4	100	800
CP1423	1/4 x 2-3/8	3/4	1/4	100	800
CP5620	5/16 x 2	1/2	5/16	100	800
CP5623	5/16 x 2-3/4	1-1/8	5/16	100	800
CP3823	3/8 x 2-3/8	7/8	3/8	50	400
CP3832	3/8 x 3-1/2	1-1/8	3/8	50	400
CP3843	3/8 x 4-3/4	1-1/8	3/8	50	400
CP1223	1/2 x 2-3/4	7/8	1/2	25	200
CP1232	1/2 x 3-1/2	1	1/2	25	200
CP1243	1/2 x 4-3/4	1-3/4	1/2	25	200
CP1260	1/2 x 6	1-7/8	1/2	25	200
CP5840	5/8 x 4	1-1/4	5/8	10	80
CP5860	5/8 x 6	1-1/4	5/8	10	80
CP3450	3/4 x 5	1-3/4	3/4	10	30
CP3460	3/4 x 6	1-3/4	3/4	10	30
CP3472	3/4 x 7 1/2	2	3/4	10	30

For more information, please contact:



Divisions of Mechanical Plastics Corp.
110 Richards Avenue • Norwalk, CT 06854

Phone: 203-857-2200

Fax: 203-857-2201 • E-mail: sales@wej-it.com

www.toggler.com • www.wej-it.com

Strike-It™, TOGGLER logo and typeface, Wej-It® and High-Performance Anchors® are trademarks of Mechanical Plastics Corp. ©2014 Mechanical Plastics Corp. Rev. 5/15